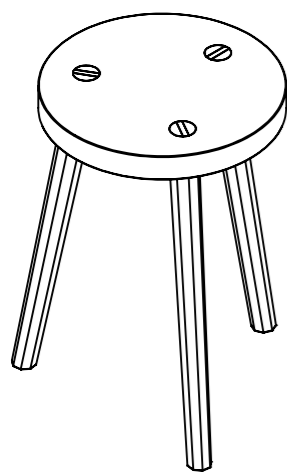
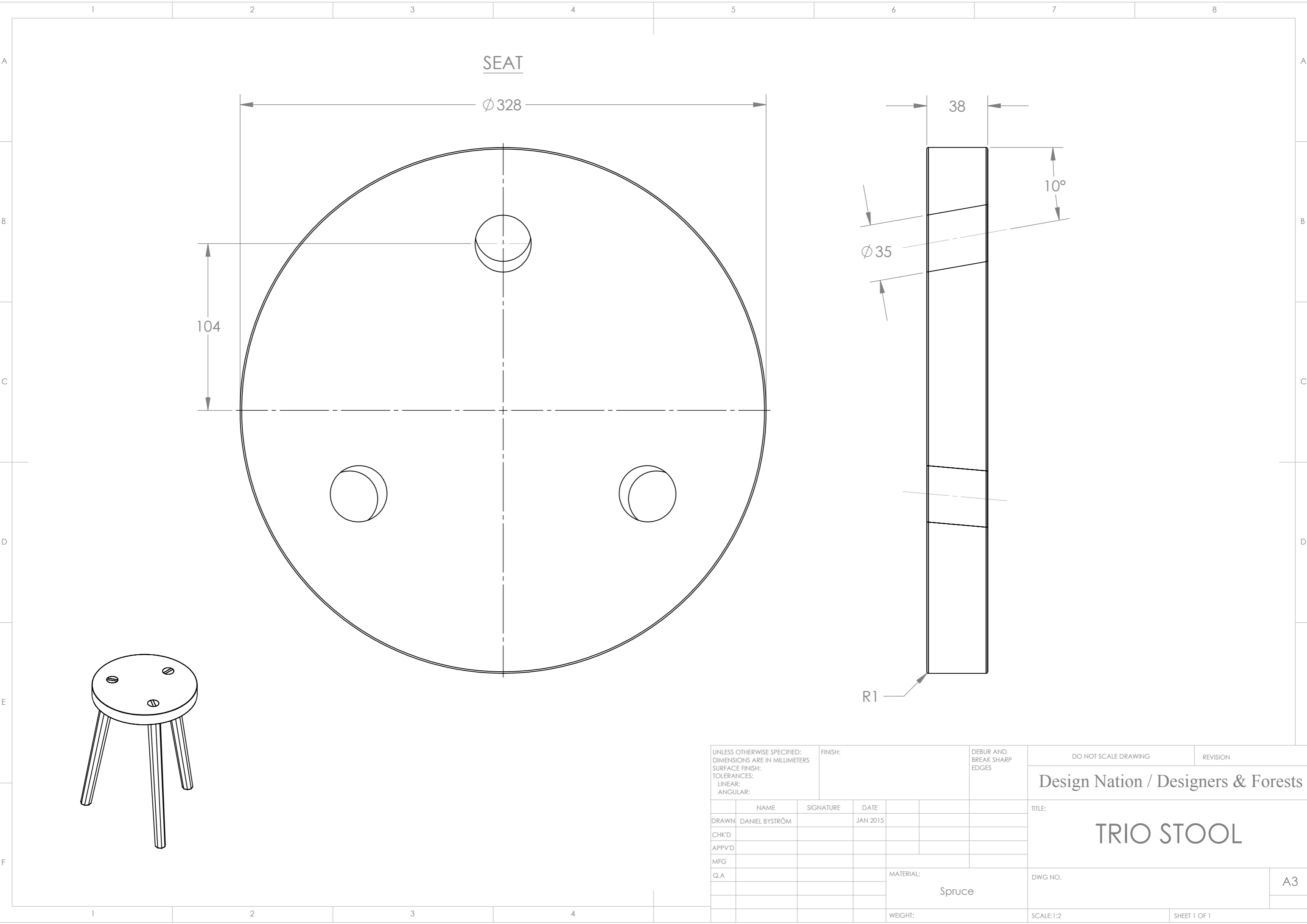


Ø 328

485



UNLESS OTHERWISE SPECIFIED: DIMENSIONS ARE IN MILLIMETERS SURFACE FINISH: TOLERANCES: LINEAR: ANGULAR:				FINISH:		DEBUR AND BREAK SHARP EDGES		DO NOT SCALE DRAWING		REVISION	
								Design Nation / Designers & Forests			
								TITLE:			
								TRIO STOOL			
DRAWN: DANIEL BYSTRÖM				SIGNATURE		DATE: JAN 2015		DWG NO.		A3	
CHK'D											
APPV'D											
MFG											
Q.A						MATERIAL: Spruce					
						WEIGHT:		SCALE:1:2		SHEET 1 OF 1	



SEAT

Ø 328

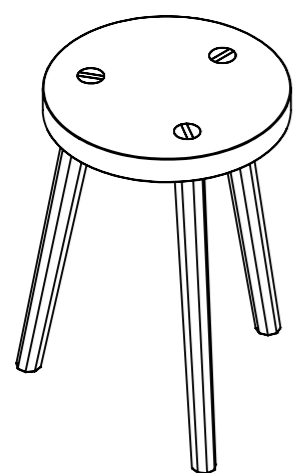
104

38

10°

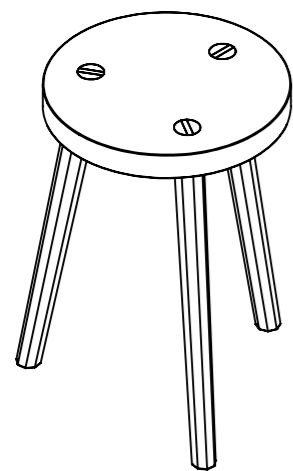
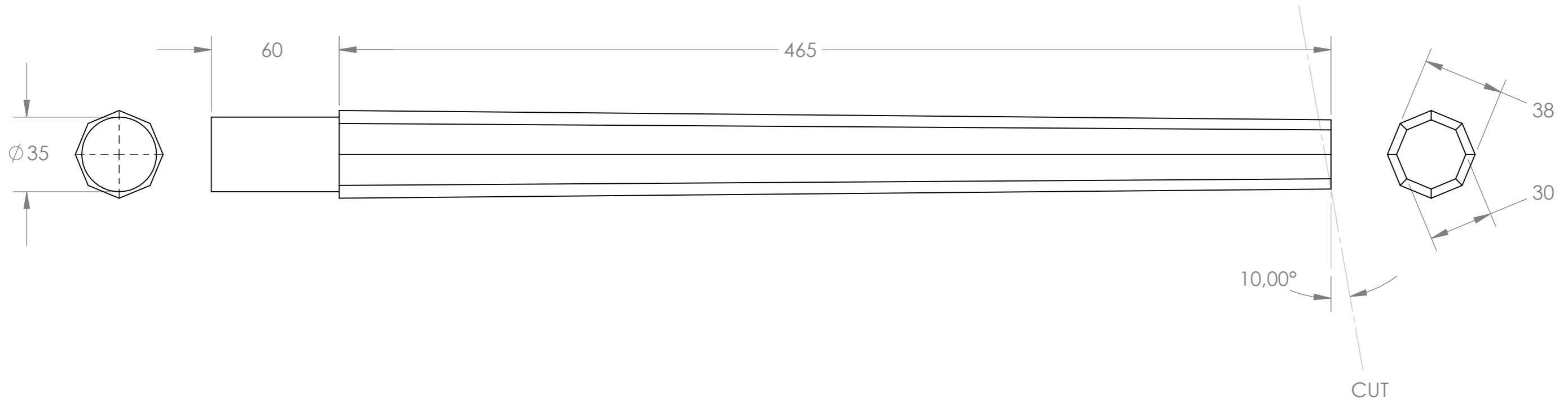
Ø 35

R1



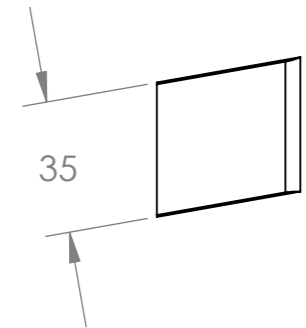
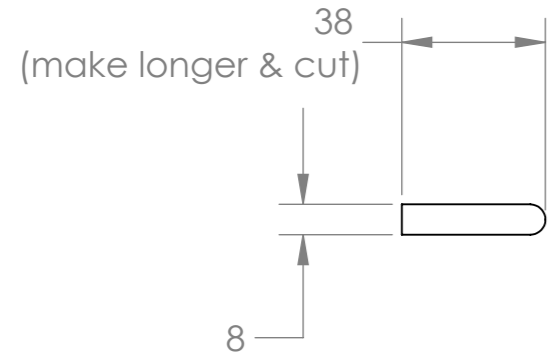
UNLESS OTHERWISE SPECIFIED: DIMENSIONS ARE IN MILLIMETERS SURFACE FINISH: TOLERANCES: LINEAR: ANGULAR:				FINISH:		DEBUR AND BREAK SHARP EDGES		DO NOT SCALE DRAWING		REVISION	
								Design Nation / Designers & Forests			
								TITLE:			
								TRIO STOOL			
DRAWN: DANIEL BYSTRÖM				SIGNATURE		DATE: JAN 2015		DWG NO.		A3	
CHK'D											
APPV'D											
MFG											
Q.A						MATERIAL: Spruce					
						WEIGHT:		SCALE:1:2		SHEET 1 OF 1	

LEG STEP 1

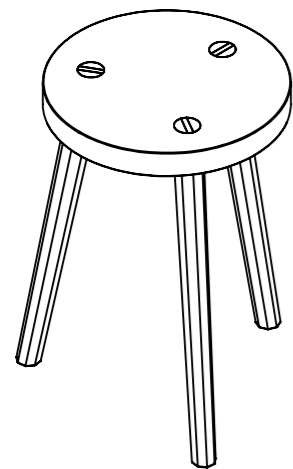
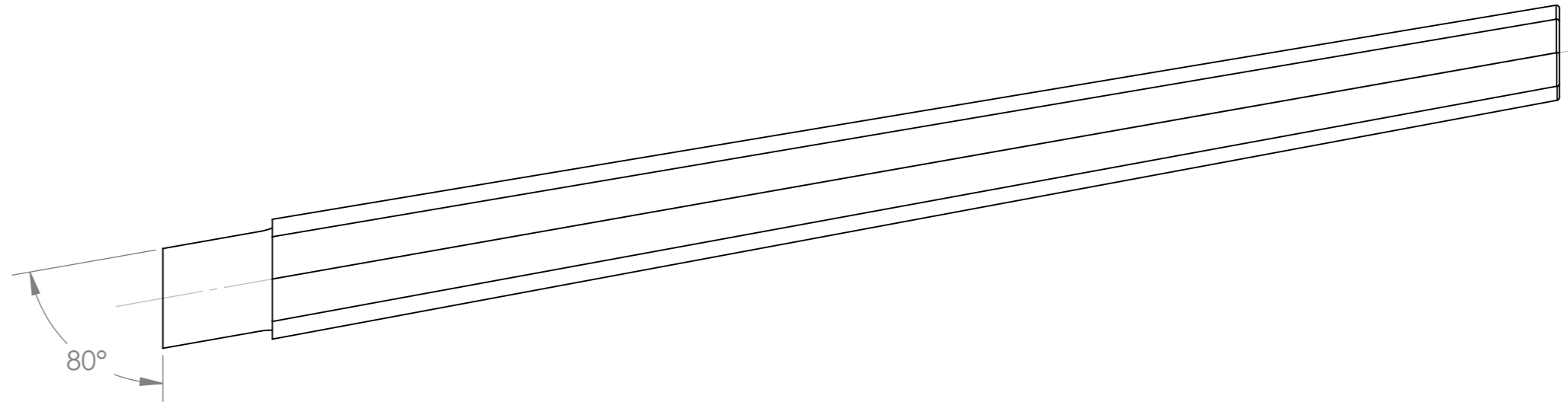
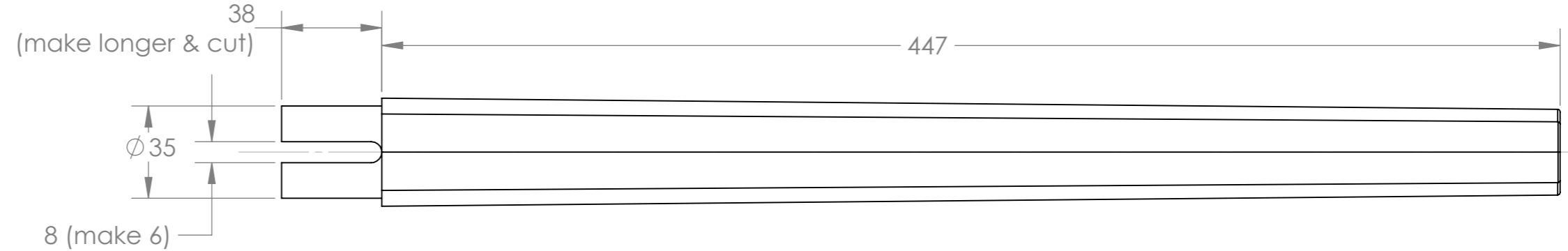


UNLESS OTHERWISE SPECIFIED: DIMENSIONS ARE IN MILLIMETERS SURFACE FINISH: TOLERANCES: LINEAR: ANGULAR:				FINISH:		DEBUR AND BREAK SHARP EDGES		DO NOT SCALE DRAWING		REVISION	
								Design Nation / Designers & Forests			
								TITLE:			
								TRIO STOOL			
DRAWN: DANIEL BYSTRÖM				SIGNATURE		DATE: JAN 2015		DWG NO.		A3	
CHK'D											
APPV'D											
MFG											
Q.A						MATERIAL: Spruce					
						WEIGHT:		SCALE:1:2		SHEET 1 OF 1	

WEDGE



LEG



UNLESS OTHERWISE SPECIFIED: DIMENSIONS ARE IN MILLIMETERS SURFACE FINISH: TOLERANCES: LINEAR: ANGULAR:				FINISH:		DEBUR AND BREAK SHARP EDGES		DO NOT SCALE DRAWING		REVISION	
								Design Nation / Designers & Forests			
								TITLE:			
								TRIO STOOL			
DRAWN: DANIEL BYSTRÖM		SIGNATURE		DATE: JAN 2015				DWG NO.		A3	
CHK'D								MATERIAL: Spruce		SCALE: 1:2	
APPV'D								WEIGHT:		SHEET 1 OF 1	
MFG											
Q.A											